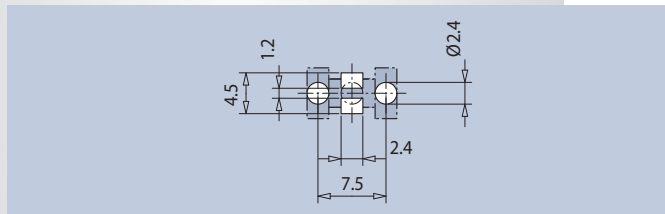
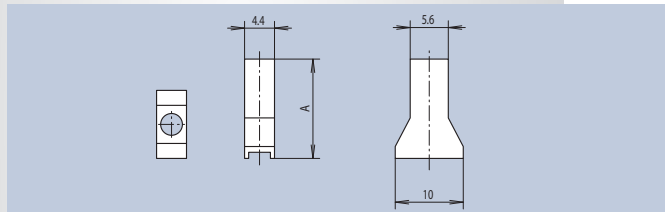
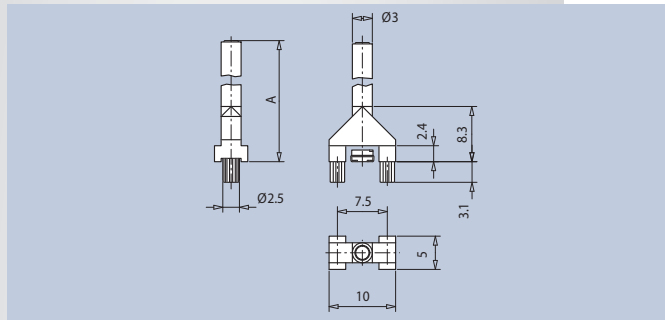


# Displays, upright Ø3mm



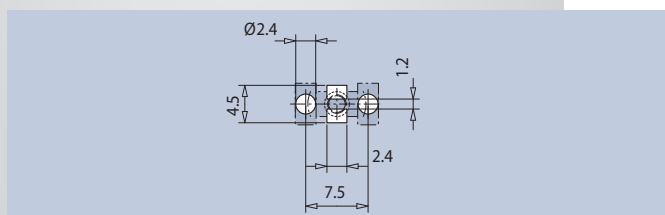
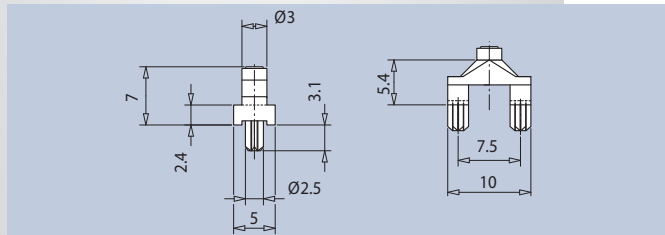
LL-Material: PC clear UL94  
 Ambient Temperature: -40°C ... +85°C  
 ESD-Protection: <12kV

The light guide is held in place on the printed board via two press-in lugs. The light guide is used in conjunction with SMD LEDs. The length A of the light guide is variable from 9-45mm.



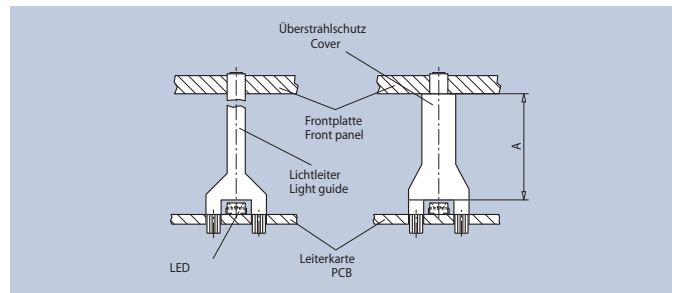
Layout Suggestion

The light guide is held in place on the printed board via two press-in lugs. The light guide is used in conjunction with SMD LEDs.



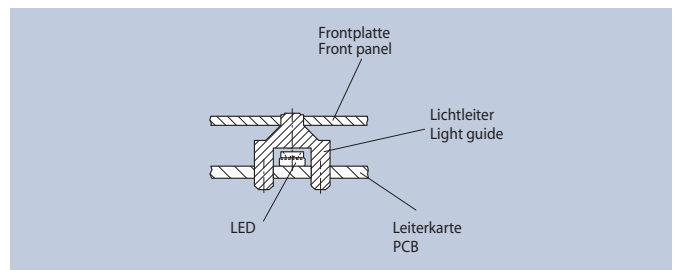
Layout Suggestion

A	Recommended LEDs	Art.-Nr.
15	L1 - L12	1275.1001
9,6	Cover	1275.0001
30	L1 - L12	1275.1002
24,6	Cover	1275.0002
45	L1 - L12	1275.1003
39,6	Cover	1275.0003



Mounting Example

Recommended LEDs	Art.-Nr.	-
L1 - L12	1281.1001	-



Mounting Example

# Displays, upright Ø3mm

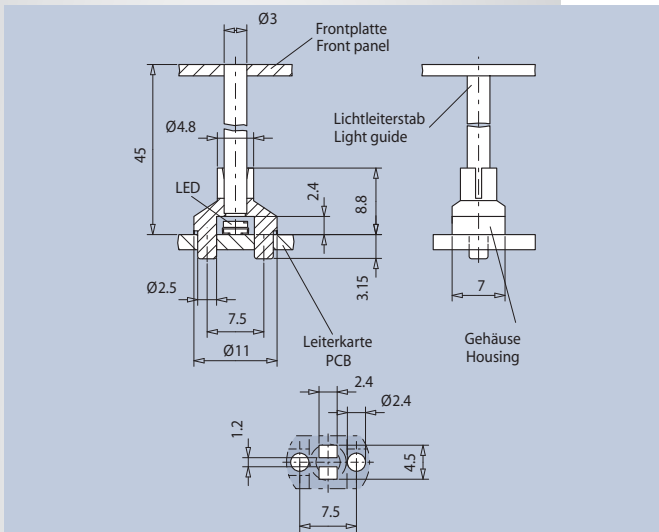


Housing-Material: PC black UL94  
 LL-Material: PMMA  
 Ambient Temperature: -40°C ... +85°C  
 ESD-Protection: <12kV

The housing for the light guide rods is held in place on the printed board via two press-in lugs. Furthermore, the housings are designed to accommodate Ø3mm and Ø5mm light guides. The light guide is used in conjunction with SMD LEDs. Special lengths from 9mm beginning are possible. By delivery are housing and light guide not assembled.

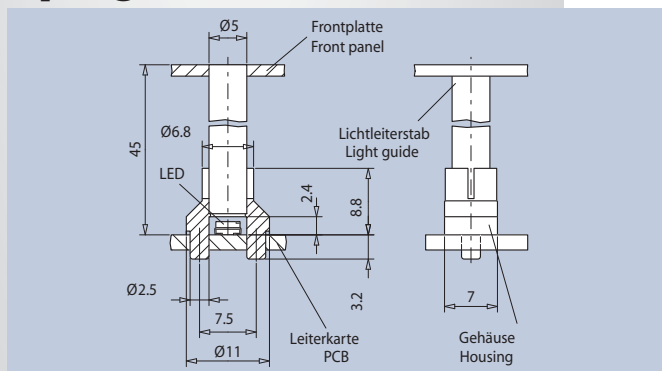
Recommended LEDs	Art.-Nr.	-
L1 - L12	1216.1003	-

Minimum quantity for special length = 1.000 pieces / on request



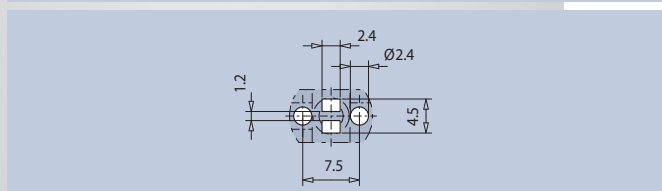
Layout Suggestion

# Display, upright, Ø5mm



Recommended LEDs	Art.-Nr.	-
L1 - L12	1216.1005	-

Minimum quantity for special length = 1.000 pieces / on request



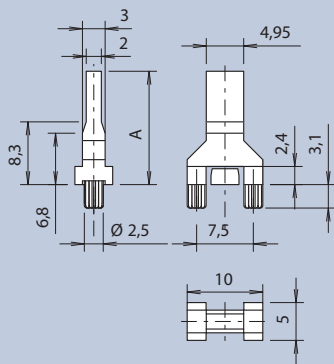
Layout Suggestion

# Displays, upright 2 x 5mm

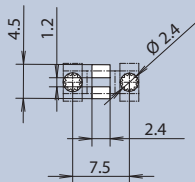


LL-Material: PC clear UL94  
 Diaphragm-Material: PC black UL94  
 Ambient Temperature: -40°C ... +85°C  
 ESD-Protection: <12kV

The light guide is held in place on the printed board via two press-in lugs. The light guide is used in conjunction with SMD LEDs. The length A of the light guide is variable from 9-45mm.



A	Recommended LEDs	Art.-Nr.
15	L1 - L12	1274.1011
30	L1 - L12	1274.1021
45	L1 - L12	1274.1031



Layoutvorschlag · Layout Suggestion